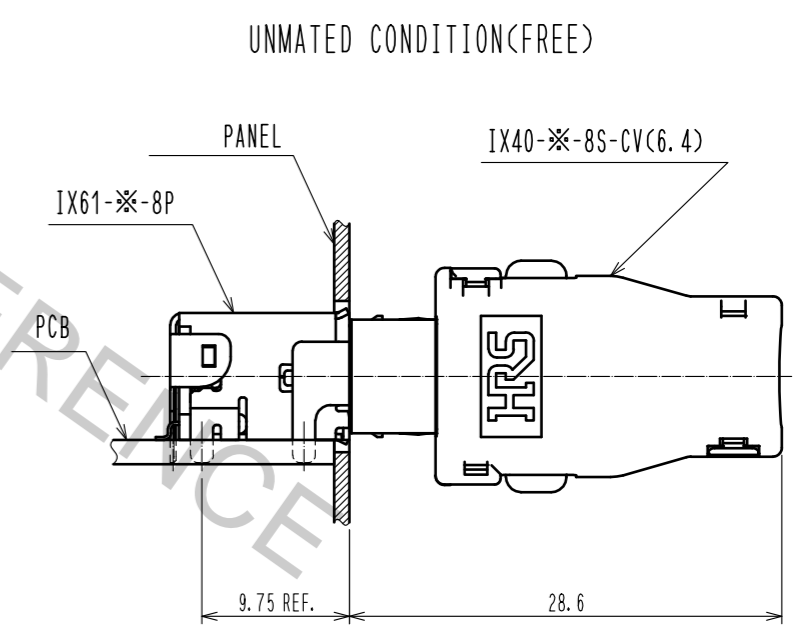
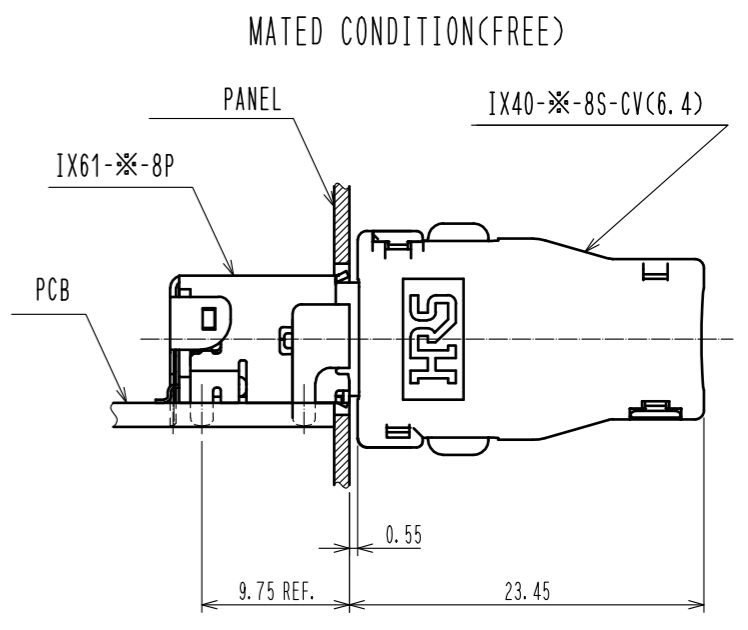
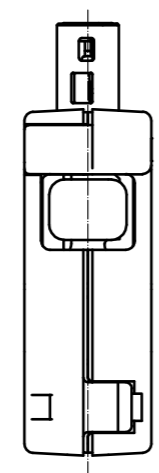
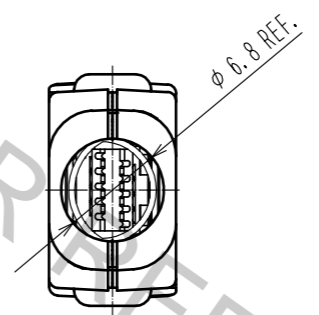
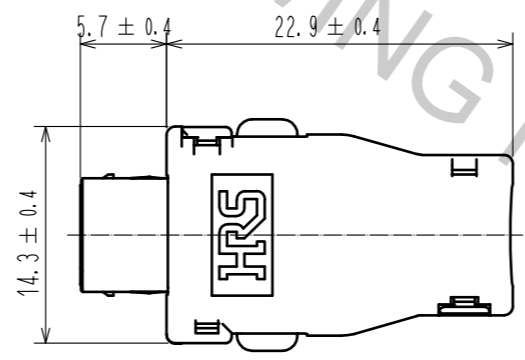
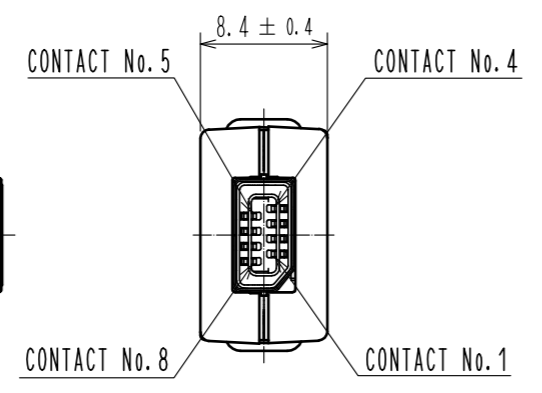


Sep.1.2017 Copyright 2017 HIROSE ELECTRIC CO., LTD. All Rights Reserved.

NOTES. 1 THIS PRODUCT, EXCEPT PLUG UNIT AND SHIELD CASE UNIT A, ARE PACKED SEPARATELY BY THE TYPES OF PARTS.

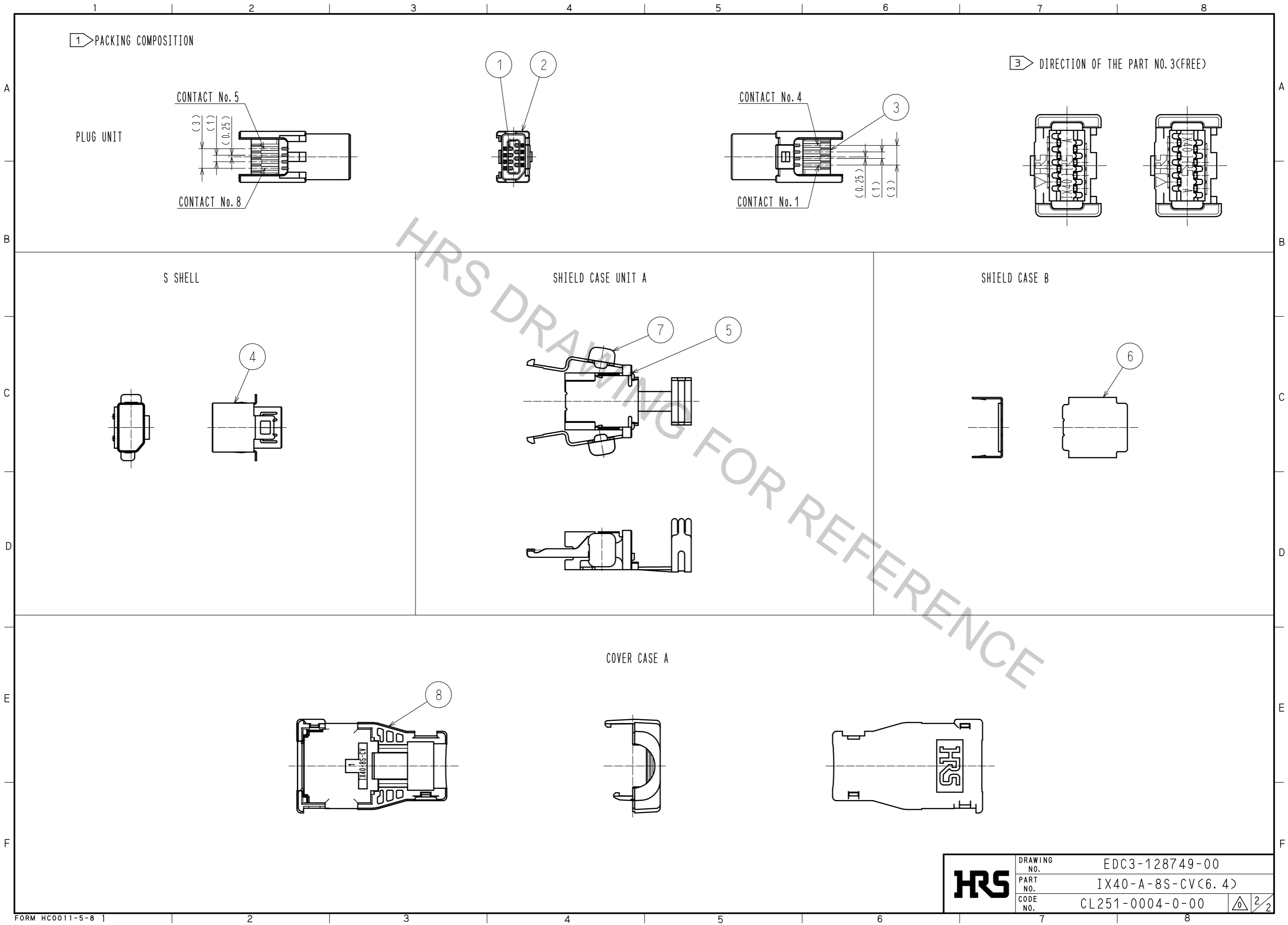
2. RECOMMENDED CABLE IS HITACHI METALS CO., LTD. UL20276-SB 4PX28AWG (7/0.127) LF.  
PLEASE REFER TO THE TECHNICAL SPECIFICATION SHEET ETAD-E3146-00 ABOUT CABLE ASSEMBLY METHOD.

3 BUILT-IN DIRECTION OF THE PART NO.3, THERE ARE TWO DIRECTIONS TO BE SHOWN.  
THERE IS NO PROBLEM IN THE PERFORMANCE IN EITHER CASE.



3	LCP	BLACK, UL94V-0	8	PC	BLACK, UL94V-0
2	PA	BLACK, UL94V-0	7	PBT	BLACK, UL94V-0
1	COPPER ALLOY	CONTACT AREA : GOLD 0.2 μm min.	5	STAINLESS STEEL	NICKEL 2 μm min.
		LEAD AREA : GOLD 0.03 μm min.	4	STAINLESS STEEL	NICKEL 2 μm min.
		UNDER PLATING : NICKEL 2 μm min.			
NO.	MATERIAL	FINISH . REMARKS	NO.	MATERIAL	FINISH . REMARKS

UNITS mm		SCALE 2 : 1	COUNT 	DESCRIPTION OF REVISIONS	DESIGNED	CHECKED	DATE
HIROSE ELECTRIC CO., LTD.				APPROVED : NM. NISHIMATSU 15.12.10 CHECKED : NM. NISHIMATSU 15.12.10 DESIGNED : P. EKSOURIYA 15.12.10 DRAWN : P. EKSOURIYA 15.12.10	DRAWING NO. EDC3-128749-00 PART NO. IX40-A-8S-CV(6.4) CODE NO. CL251-0004-0-00		



<b>HRS</b>	DRAWING NO.	EDC3-128749-00
	PART NO.	IX40-A-8S-CV(6.4)
	CODE NO.	CL251-0004-0-00
		2/2