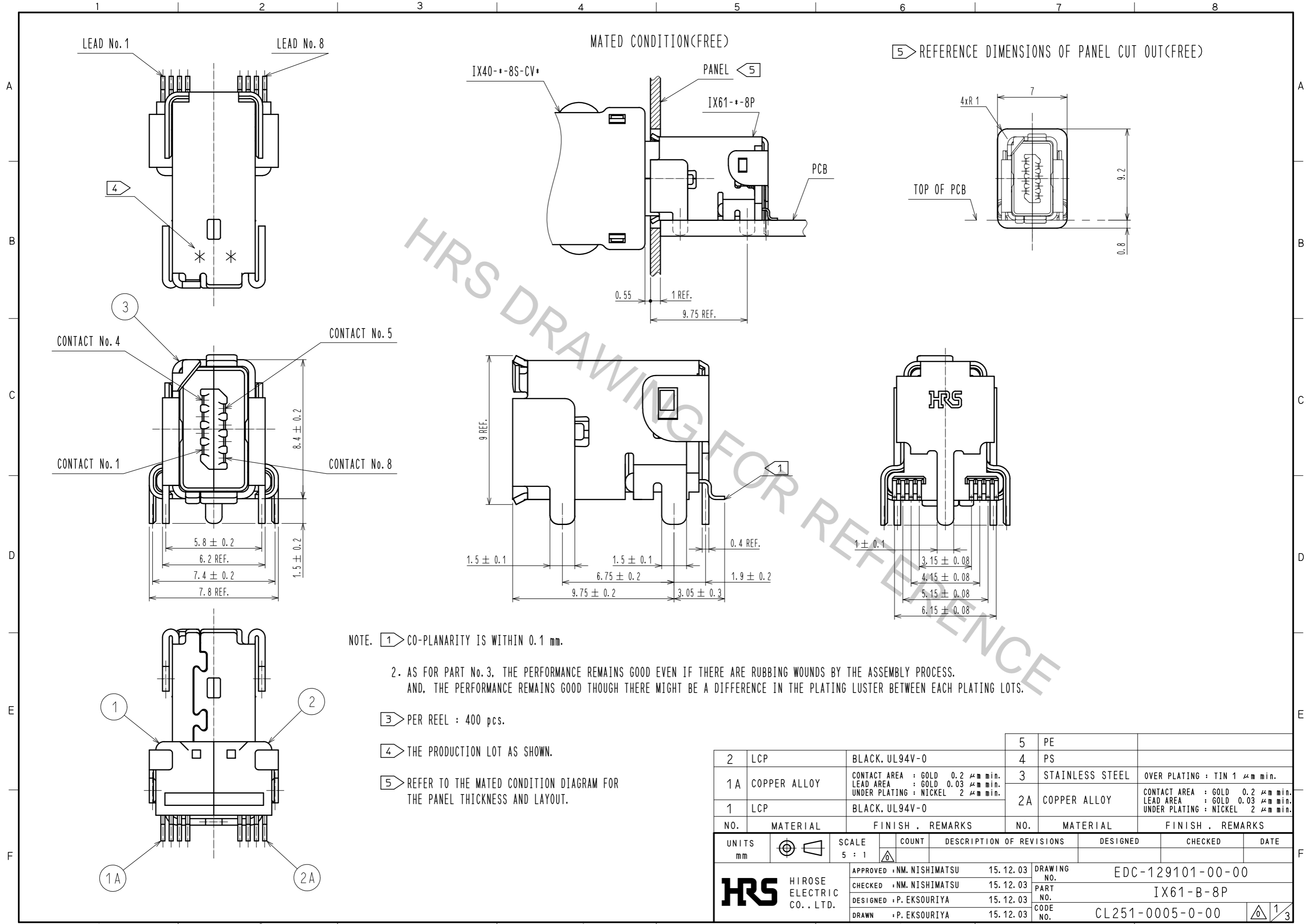


Sep.1.2017 Copyright 2017 HIROSE ELECTRIC CO., LTD. All Rights Reserved.



NOTE. 1 CO-PLANARITY IS WITHIN 0.1 mm.

2. AS FOR PART No. 3, THE PERFORMANCE REMAINS GOOD EVEN IF THERE ARE RUBBING WOUNDS BY THE ASSEMBLY PROCESS. AND, THE PERFORMANCE REMAINS GOOD THOUGH THERE MIGHT BE A DIFFERENCE IN THE PLATING LUSTER BETWEEN EACH PLATING LOTS.

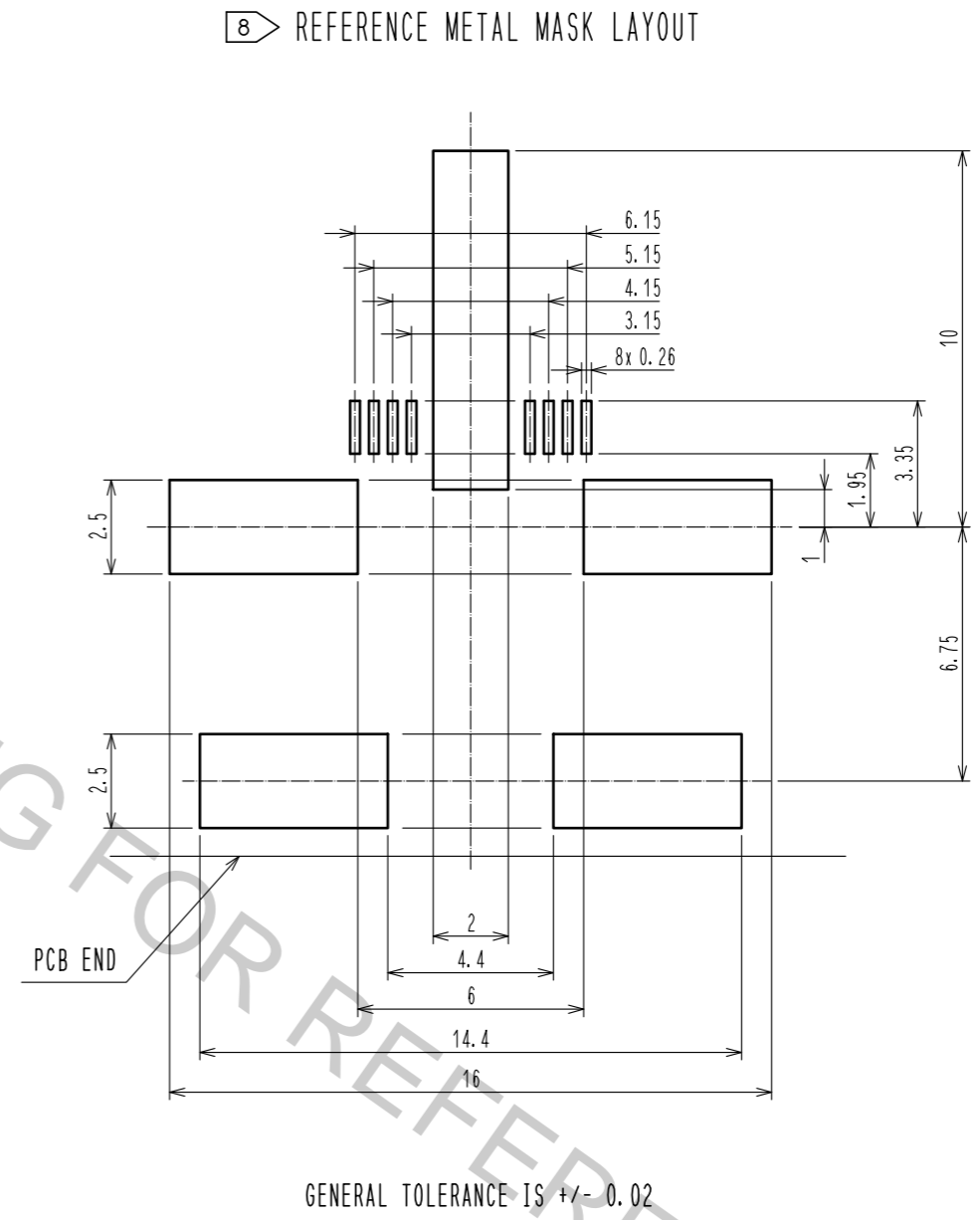
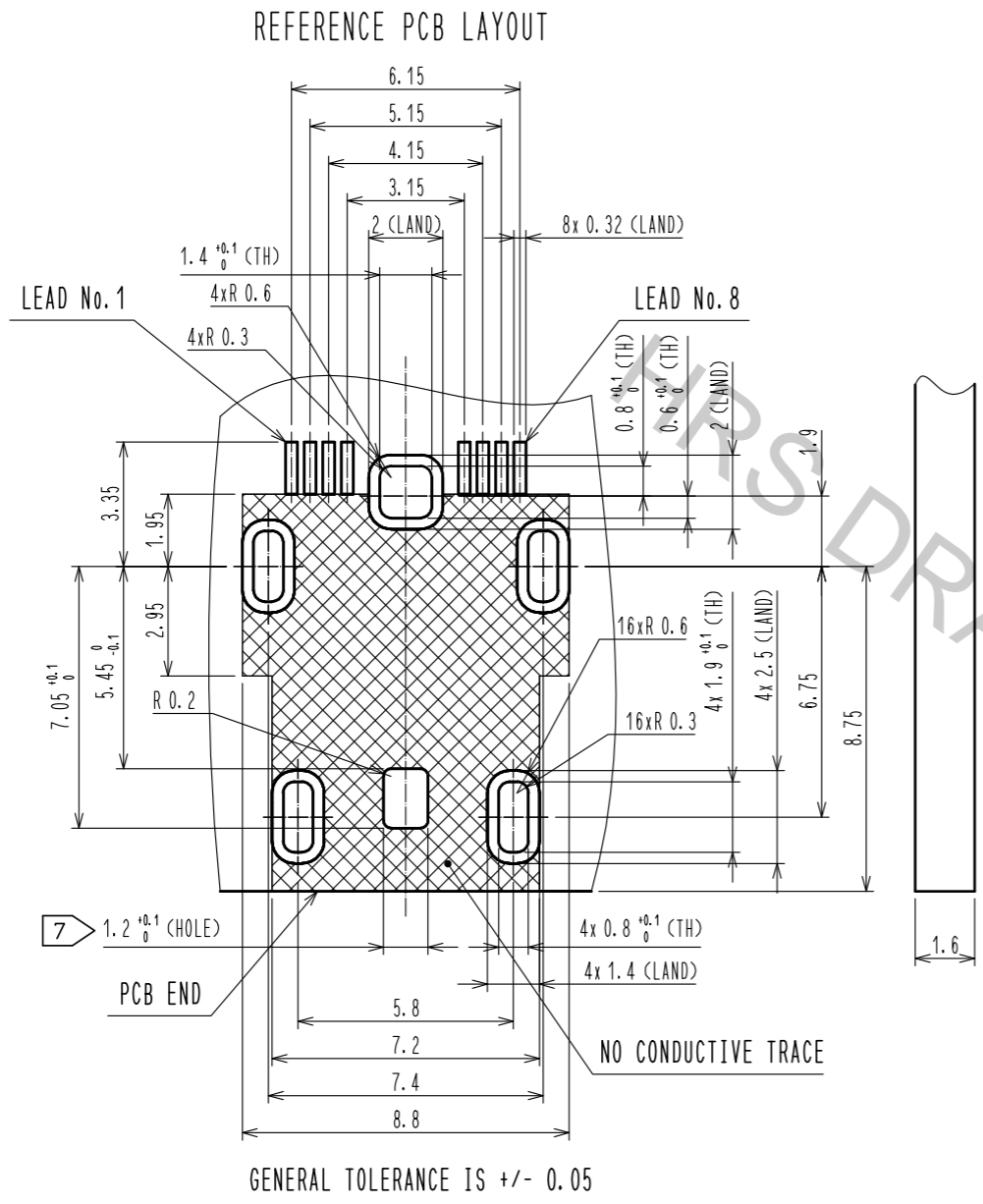
3 PER REEL : 400 pcs.

4 THE PRODUCTION LOT AS SHOWN.

5 REFER TO THE MATED CONDITION DIAGRAM FOR THE PANEL THICKNESS AND LAYOUT.

2	LCP	BLACK. UL94V-0	5	PE				
1A	COPPER ALLOY	CONTACT AREA : GOLD 0.2 μm min. LEAD AREA : GOLD 0.03 μm min. UNDER PLATING : NICKEL 2 μm min.	4	PS				
1	LCP	BLACK. UL94V-0	3	STAINLESS STEEL	OVER PLATING : TIN 1 μm min.			
			2A	COPPER ALLOY	CONTACT AREA : GOLD 0.2 μm min. LEAD AREA : GOLD 0.03 μm min. UNDER PLATING : NICKEL 2 μm min.			
NO.	MATERIAL	FINISH . REMARKS	NO.	MATERIAL	FINISH . REMARKS			
UNITS	mm	SCALE	5 : 1	COUNT	DESCRIPTION OF REVISIONS	DESIGNED	CHECKED	DATE
HRS HIROSE ELECTRIC CO., LTD.		APPROVED : NM. NISHIMATSU	15.12.03	DRAWING NO. EDC-129101-00-00				
		CHECKED : NM. NISHIMATSU	15.12.03	PART NO. IX61-B-8P				
		DESIGNED : P. EKSOURIYA	15.12.03	CODE NO. CL251-0005-0-00				
		DRAWN : P. EKSOURIYA	15.12.03					

Sep.1.2017 Copyright 2017 HIROSE ELECTRIC CO., LTD. All Rights Reserved.



NOTES. 6. THIS PRODUCT IS MOUNTED BY REFLOW SOLDERING.
REFER TO SPECIFICATION SHEET ELC-129101-00-** FOR REFLOW SOLDERING.

7 NO SOLDERING TO THE POINT SHOWN IN THE FIGURE AS 'HOLE'

8 THICKNESS OF METAL MASK IS 0.1 mm MIN.
Metal mask dimensions of the drawings described, are reference dimensions for 0.1 mm thickness metal mask.
CHANGE THE METAL MASK DIMENSIONS BY THICKNESS OF THE METAL MASK, THICKNESS OF PCB, COMPONENT OF SOLDER PASTE AND MOUNTING CONDITIONS.
CHANGE THE METAL MASK DIMENSIONS IN CASE OF MOUNTING IX61-**-8P IN PARALLEL.
CHANGE THE METAL MASK DIMENSIONS, IF THERE ARE OTHER MOUNTING PARTS OR IMPLEMENTATION PATTERN AROUND THE PORTION OF MOUNTING POSITION OF IX61-**-8P.

HRS	DRAWING NO.	EDC-129101-00-00
	PART NO.	IX61-B-8P
	CODE NO.	CL251-0005-0-00
		2/3

