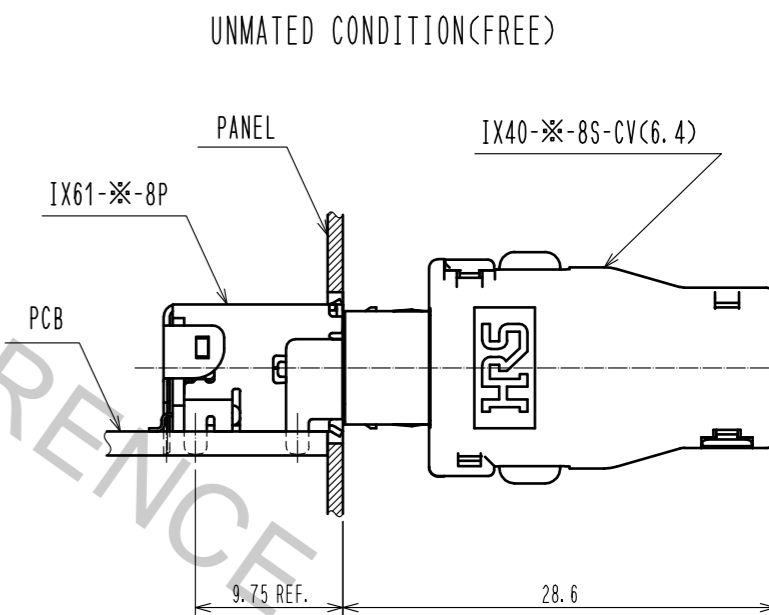
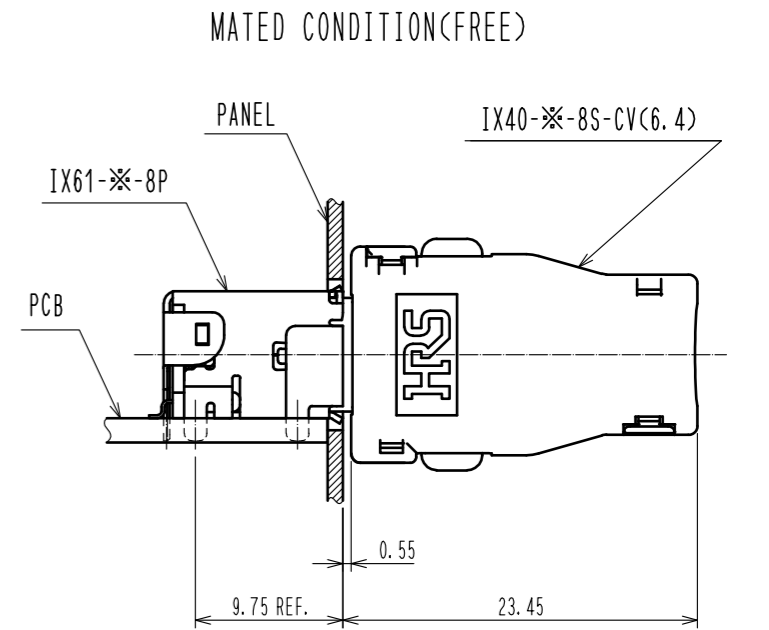
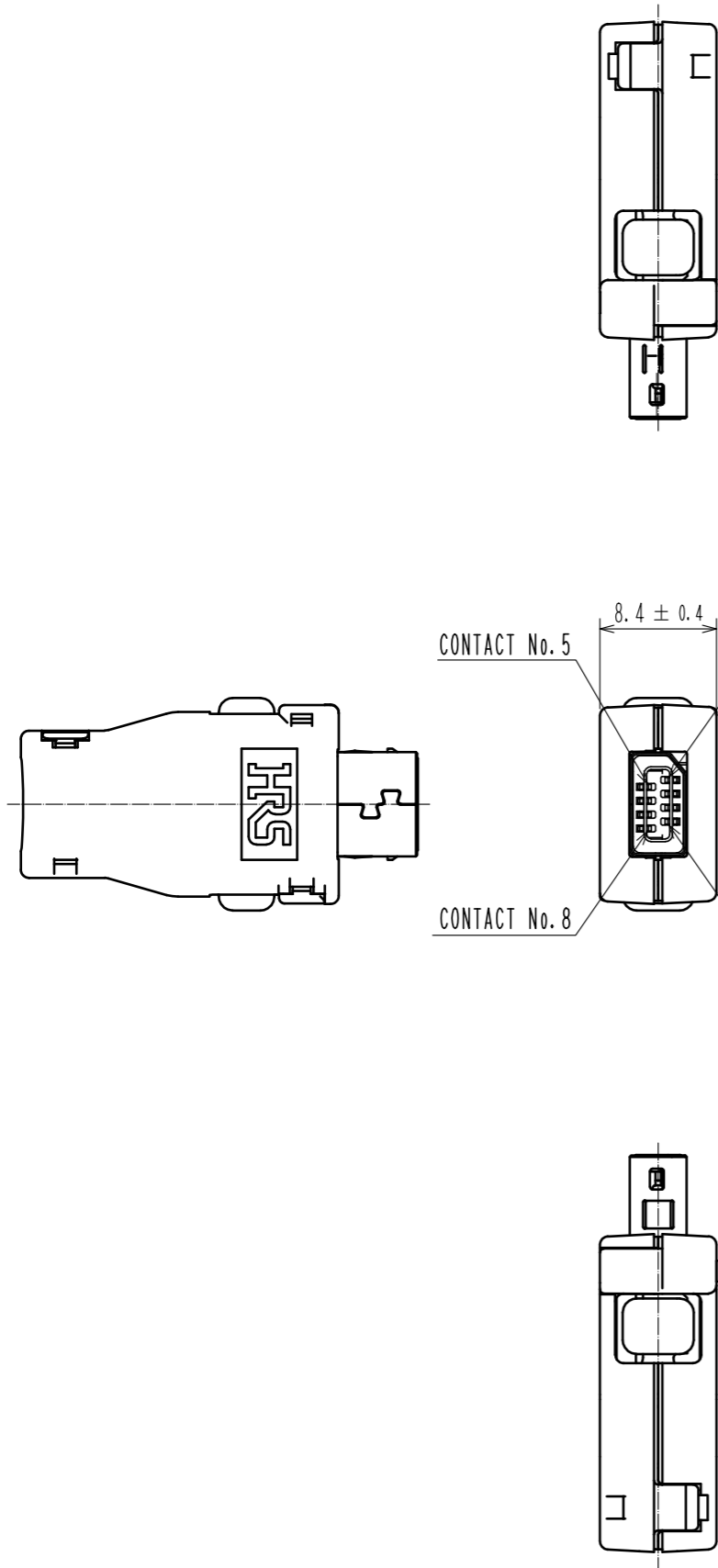


NOTES. 1 THIS PRODUCT, EXCEPT PLUG UNIT AND SHIELD CASE UNIT A, ARE PACKED SEPARATELY BY THE TYPES OF PARTS.

2. RECOMMENDED CABLE IS HITACHI METALS CO., LTD. UL20276-SB 4PX28AWG (7/0.127) LF.
PLEASE REFER TO THE TECHNICAL SPECIFICATION SHEET ETAD-E3146-00 ABOUT CABLE ASSEMBLY METHOD.

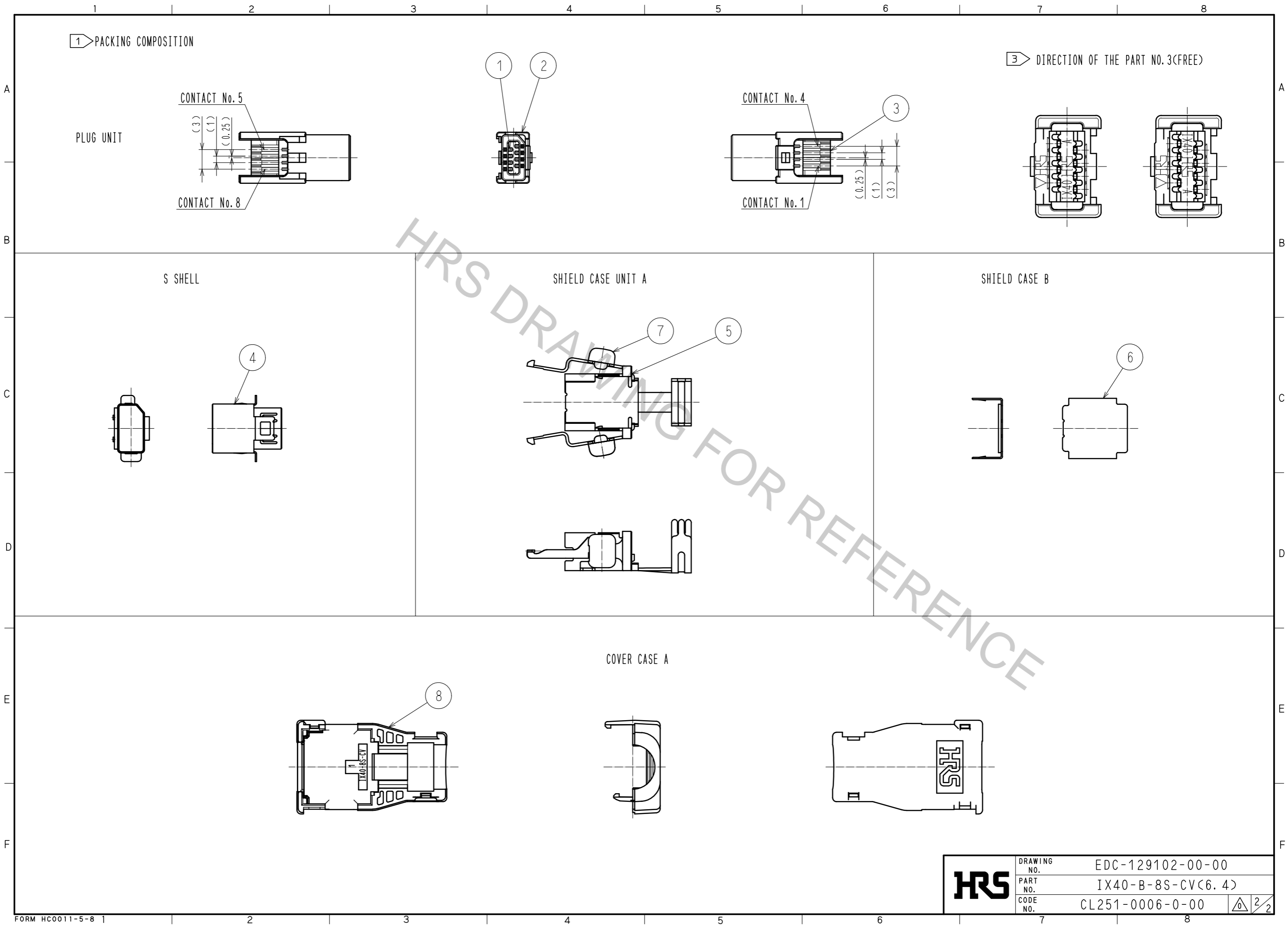
3 BUILT-IN DIRECTION OF THE PART NO. 3, THERE ARE TWO DIRECTIONS TO BE SHOWN.
THERE IS NO PROBLEM IN THE PERFORMANCE IN EITHER CASE.



NO.	MATERIAL	FINISH	REMARKS	NO.	MATERIAL	FINISH	REMARKS
3	LCP	BLACK.	UL94V-0	8	PC	BLACK.	UL94V-0
2	PA	BLACK.	UL94V-0	7	PBT	BLACK.	UL94V-0
1	COPPER ALLOY	CONTACT AREA	: GOLD 0.2 μm min.	5	STAINLESS STEEL	NICKEL 2 μm min.	
		LEAD AREA	: GOLD 0.03 μm min.				
		UNDER PLATING	: NICKEL 2 μm min.	4	STAINLESS STEEL	NICKEL 2 μm min.	

UNITS	SCALE	COUNT	DESCRIPTION OF REVISIONS	DESIGNED	CHECKED	DATE
mm	2 : 1	△				
APPROVED : NM. NISHIMATSU			15.12.10	DRAWING NO. EDC-129102-00-00		
CHECKED : NM. NISHIMATSU			15.12.10	PART NO. IX40-B-8S-CV(6.4)		
DESIGNED : P. EKSOURIYA			15.12.10	CODE NO. CL251-0006-0-00		
DRAWN : P. EKSOURIYA			15.12.10	1/2		

Sep.1.2017 Copyright 2017 HIROSE ELECTRIC CO., LTD. All Rights Reserved.



HRS	DRAWING NO.	EDC-129102-00-00
	PART NO.	IX40-B-8S-CV(6.4)
	CODE NO.	CL251-0006-0-00
		2/2