

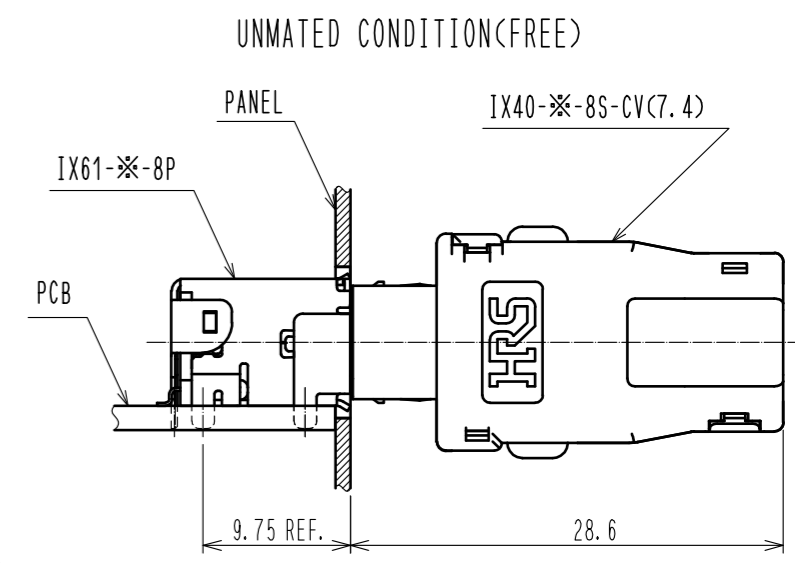
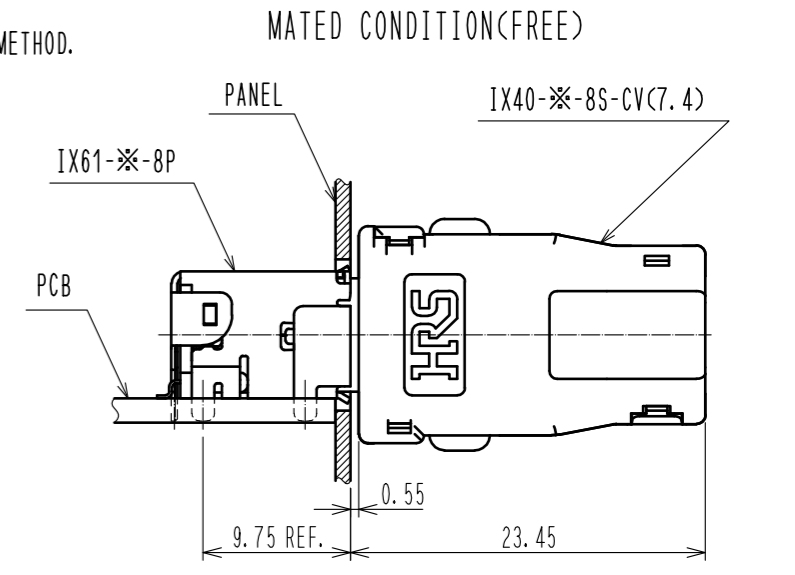
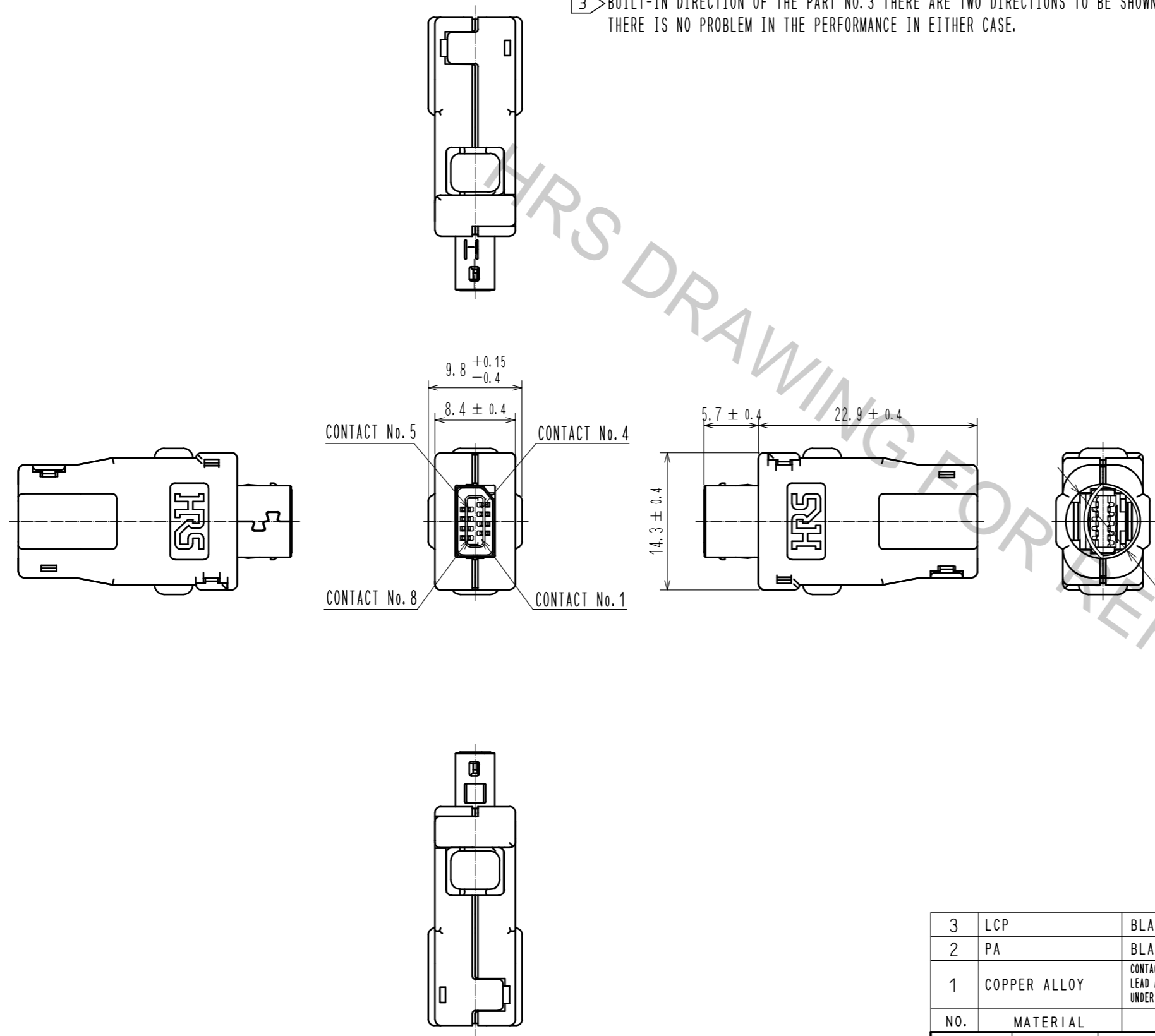
Sep.1.2017 Copyright 2017 HIROSE ELECTRIC CO., LTD. All Rights Reserved.

NOTES

1 THIS PRODUCT, EXCEPT PLUG UNIT AND SHIELD CASE UNIT (7. 4), ARE PACKED SEPARATELY BY THE TYPES OF PARTS.

2. RECOMMENDED CABLE IS CABLE DIAMATOR  $\phi 7.0$  TO  $\phi 7.4$  mm.  
PLEASE REFER TO THE TECHNICAL SPECIFICATION SHEET ETAD-E3143 ABOUT CABLE ASSEMBLY METHOD.

3 BUILT-IN DIRECTION OF THE PART NO. 3 THERE ARE TWO DIRECTIONS TO BE SHOWN.  
THERE IS NO PROBLEM IN THE PERFORMANCE IN EITHER CASE.



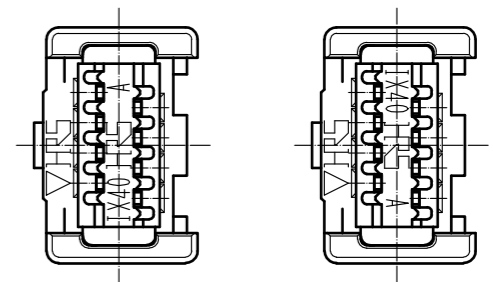
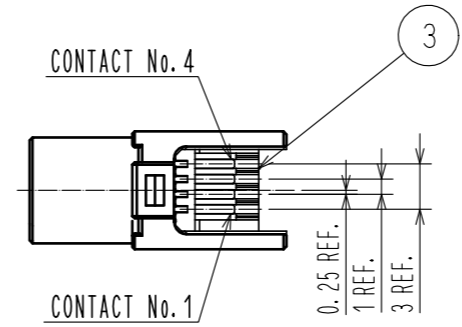
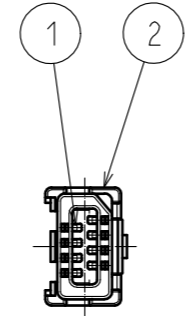
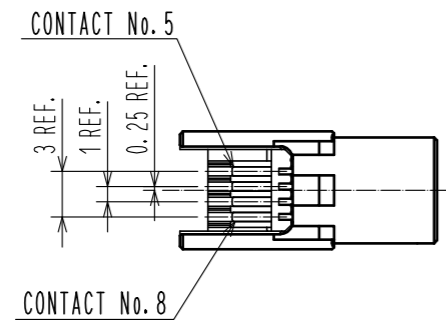
3	LCP	BLACK、	UL94V-0	8	PC	BLACK、	UL94V-0	
2	PA	BLACK、	UL94V-0	7	PBT	BLACK、	UL94V-0	
1	COPPER ALLOY	CONTACT AREA : GOLD 0.2 $\mu$ m min.		6	STAINLESS STEEL	NICKEL 2 $\mu$ m min.		
		LEAD AREA : GOLD 0.03 $\mu$ m min.		5	STAINLESS STEEL	NICKEL 2 $\mu$ m min.		
		UNDER PLATING : NICKEL 2 $\mu$ m min.		4	STAINLESS STEEL	NICKEL 2 $\mu$ m min.		
NO.	MATERIAL	FINISH . REMARKS		NO.	MATERIAL	FINISH . REMARKS		
UNITS mm		SCALE 2 : 1		DESCRIPTION OF REVISIONS		DESIGNED	CHECKED	DATE
<b>HRS</b> HIROSE ELECTRIC CO., LTD.		APPROVED : NM. NISHIMATSU	16.07.28	DRAWING NO. EDC-129110-00-00				
		CHECKED : NM. NISHIMATSU	16.07.28	PART NO. IX40-B-8S-CV(7.4)				
		DESIGNED : P. EKSOURIYA	16.07.28	CODE NO. CL251-0008-0-00				
		DRAWN : P. EKSOURIYA	16.07.28					

Sep.1.2017 Copyright 2017 HIROSE ELECTRIC CO., LTD. All Rights Reserved.

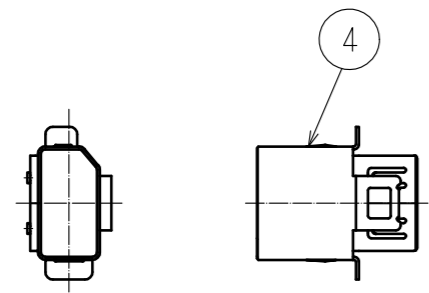
1 PACKING COMPOSITION

3 DIRECTION OF THE PART NO. 3(FREE)

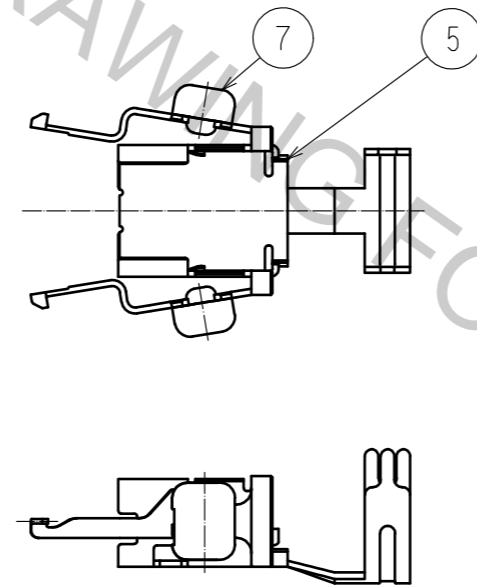
PLUG UNIT



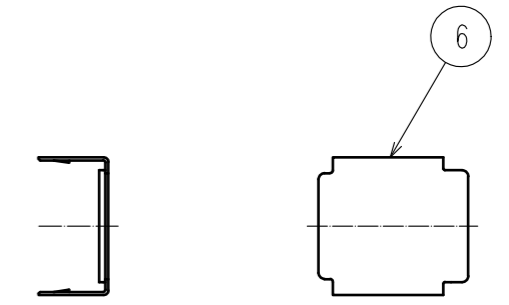
S SHELL



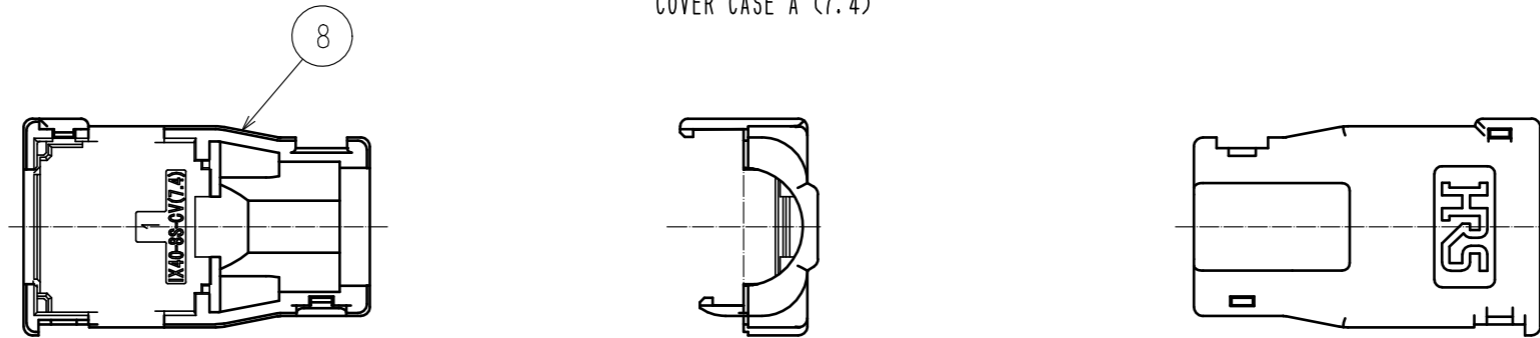
SHIELD CASE UNIT A (7.4)



SHIELD CASE B



COVER CASE A (7.4)



<b>HRS</b>	DRAWING NO.	EDC-129110-00-00	2/2
	PART NO.	IX40-B-8S-CV(7.4)	
	CODE NO.	CL251-0008-0-00	